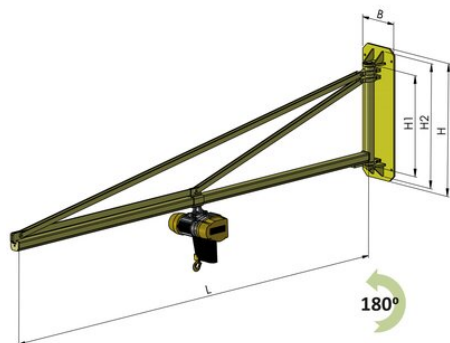


Wall Mounted Jib Crane Type VK-C

Product information



CERTEX

General: We recommend this type of wall jib crane for lifting and handling of lightweight items. Our standard programme has been designed in load groups from 30 kg up to 800 kg. All these wall mounted swing cranes are designed with a jib arm in a special C-profile characterized by a very low net weight as well as a very smooth running trolley.

Design: Lightweight welded beam construction providing good torsional stiffness.

Proof load: Usually 1,5 x WLL.

[... Read more](#)

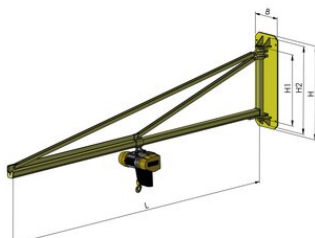
Material: Beam and plate of high-strength structural steel.

Marking: Working load limit (WLL), CE marking, manufacturer, serial number, year of manufacturing, etc.

Finish: Yellow painted. Other treatments available on request.

Wall Mounted Jib Crane Type VK-C

Blueprint



Technical data

Part code	WLL	Type	Number of brace	Profile No.	Max. hoist weight kg	Weight kg
60255310302000	0.03	VK-C-30/2	1	24,000	15	45
60255310303000	0.03	VK-C-30/3	1	24,000	15	45
60255310304000	0.03	VK-C-30/4	1	25,000	15	45
60255310502000	0.05	VK-C-50/2	1	25,000	15	65
60255310503000	0.05	VK-C-50/3	1	25,000	15	65
60255310504000	0.05	VK-C-50/4	2	25,000	15	65
60255310802000	0.08	VK-C-80/2	1	25,000	15	95
60255310803000	0.08	VK-C-80/3	2	25,000	15	95
60255310804000	0.08	VK-C-80/4	2	25,000	15	95
60255311252000	0.125	VK-C-125/2	1	25,000	15	140
60255311253000	0.125	VK-C-125/3	2	25,000	15	140
60255311254000	0.125	VK-C-125/4	2	25,000	15	140
60255311255000	0.125	VK-C-125/5	3	25,000	15	140
60255311256000	0.125	VK-C-125/6	3	25,000	15	140
60255312502000	0.25	VK-C-250/2	1	26,000	15	265
60255312503000	0.25	VK-C-250/3	2	26,000	15	265
60255312504000	0.25	VK-C-250/4	2	26,000	15	265
60255312505000	0.25	VK-C-250/5	3	26,000	15	265
60255312506000	0.25	VK-C-250/6	3	26,000	15	265
60255315002000	0.5	VK-C-500/2	1	27,000	30	530
60255315003000	0.5	VK-C-500/3	2	27,000	30	530
60255315004000	0.5	VK-C-500/4	2	27,000	30	530

Wall Mounted Jib Crane Type VK-C

Technical data

Part code	WLL	Type	Number of brace	Profile No.	Max. hoist weight kg	Weight kg
60255315005000	0.5	VK-C-500/5	3	27,000	30	530
60255315006000	0.5	VK-C-500/6	3	27,000	30	530
60255318002000	0.8	VK-C-800/2	1	27,000	30	830
60255318003000	0.8	VK-C-800/3	2	27,000	30	830
60255318004000	0.8	VK-C-800/4	2	27,000	30	830
60255318005000	0.8	VK-C-800/5	3	27,000	30	830
60255318006000	0.8	VK-C-800/6	3	27,000	30	830