

Vacuum Lifting Beam CLAD-BOY®

Product information



moving limits

CLAD-BOY® is a vacuum lifting beam developed for the professional workman who mounts roof- and wall panels. The vacuum lifting beam makes the mounting easier and increases the safety and the efficiency substantial.

Suitable for lifting of:

- Roof panels
- Wall panels
- Profile plates
- Sandwich elements and similar materials

An all-round tool...

CLAD-BOY is designed for outdoor as well as indoor use and can be used together with a crane, telescope loading machine, truck or similar. The lifting beam works without power connection due to the built-in batteries with integrated charger.

- Up to 18 meter long
- Capacities up to 500 kg
- Rotatable by up to 90°

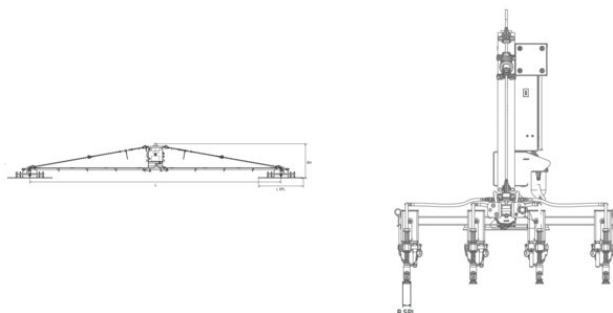
The vacuum pump is equipped with a power saving function which means that the pump automatically stops when vacuum has been reached and starts again, when the vacuum is released.

CLAD-BOY can – without using tools – be set to hold loads in horizontal or vertical position, or to turn items from horizontal to vertical position or vice versa the other way around. This function is very functional when mounting light building elements such as trapezoidal plates, sandwich elements and similar.

[... Read more](#)

Vacuum Lifting Beam CLAD-BOY®

Blueprint



Technical data

Part code	WLL ton	Model	Main beam length mm	Suction pads quantity / Size mm	Maximum size of the load* mm	WLL Vertical ton	B SPL mm	L SPL mm	EH mm	L (max) mm	Weight kg
56051031985	0.3	CLAD-BOY 300/6L/2870	2,870	6 - 80x400	12,000	0.24	80	400	1,167	2,870	150
56051031986	0.3	CLAD-BOY 300/6L/4890	4,890	6 - 80x400	14,000	0.24	80	400	1,167	4,890	200
56051031987	0.3	CLAD-BOY 300/6L/8930	8,930	6 - 80x400	18,000	0.24	80	700	1,167	8,930	230
56051031988	0.35	CLAD-BOY 350/8L/4890	4,890	8 - 36x780	14,000	0.24	36	780	1,254	4,890	250
56051031989	0.35	CLAD-BOY 350/8L/8930	8,930	8 - 36x780	18,000	0.24	36	780	1,254	8,930	300
56051031996	0.5	CLAD-BOY 500/16L/8930	8,930	16 - 36x780	18,000	0.24	36	780	1,254	8,930	330